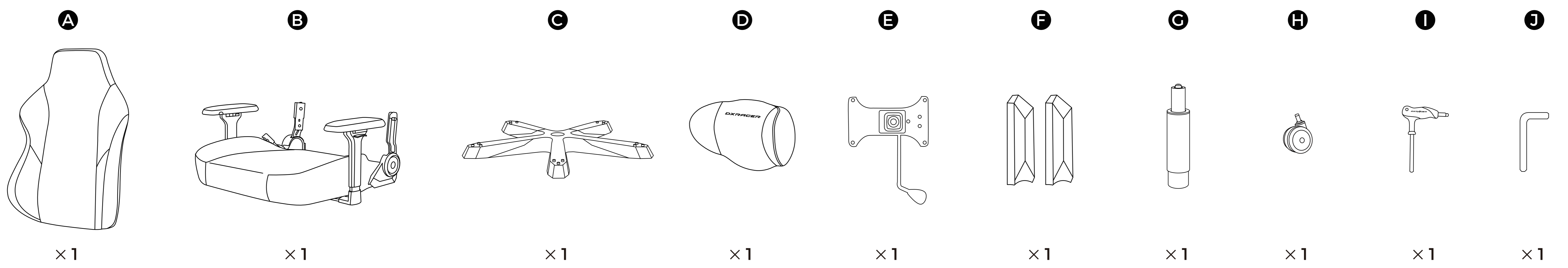


DXRACER

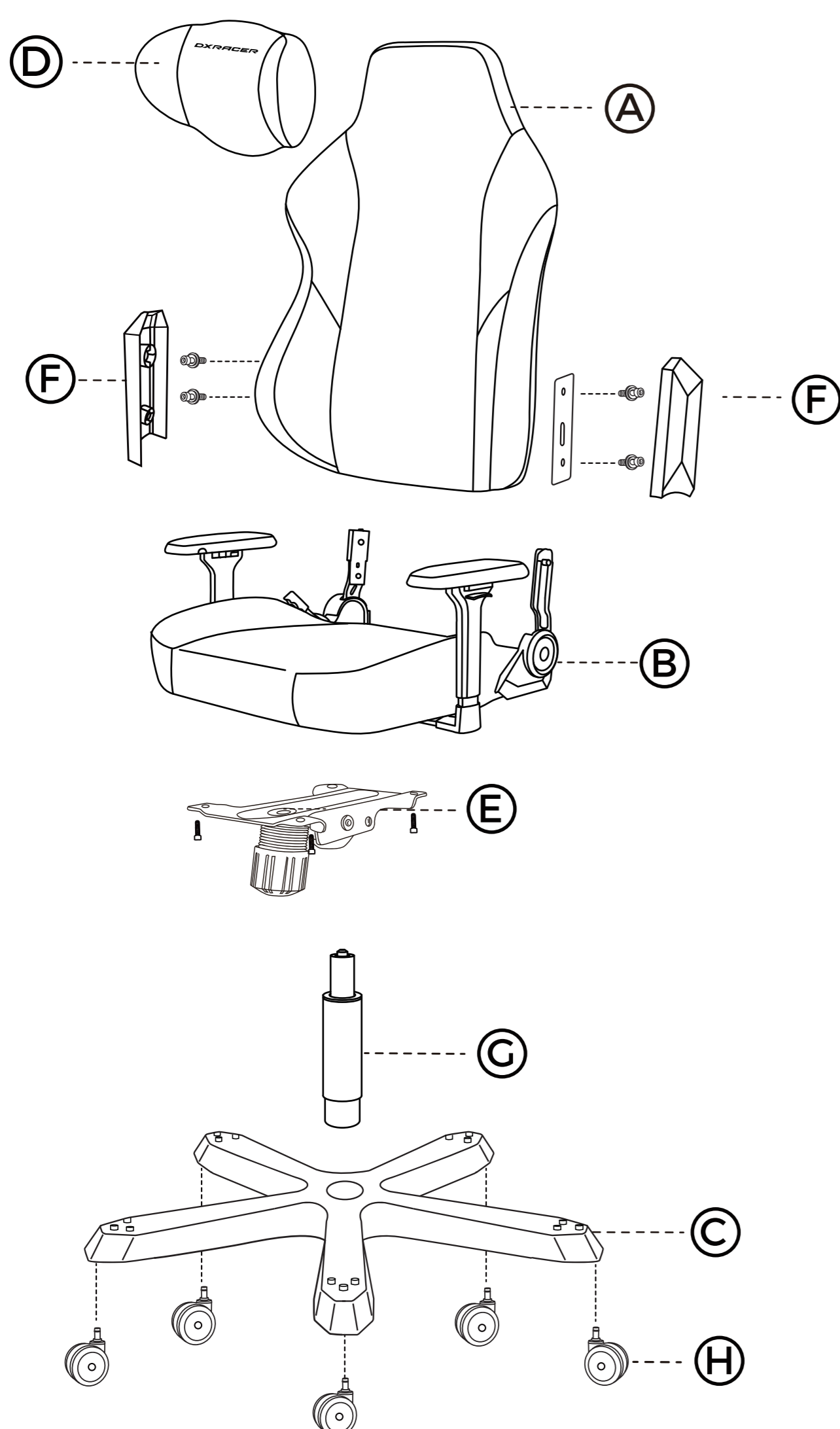
Please follow the assembly instructions on the back of this sheet.



► **Parts List**



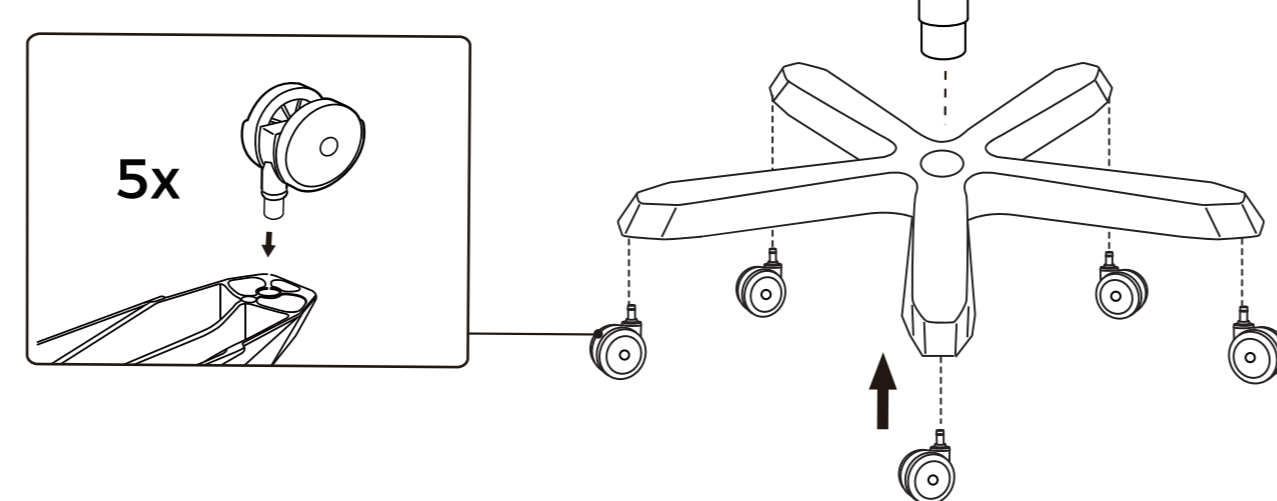
► **Assembly Drawing**



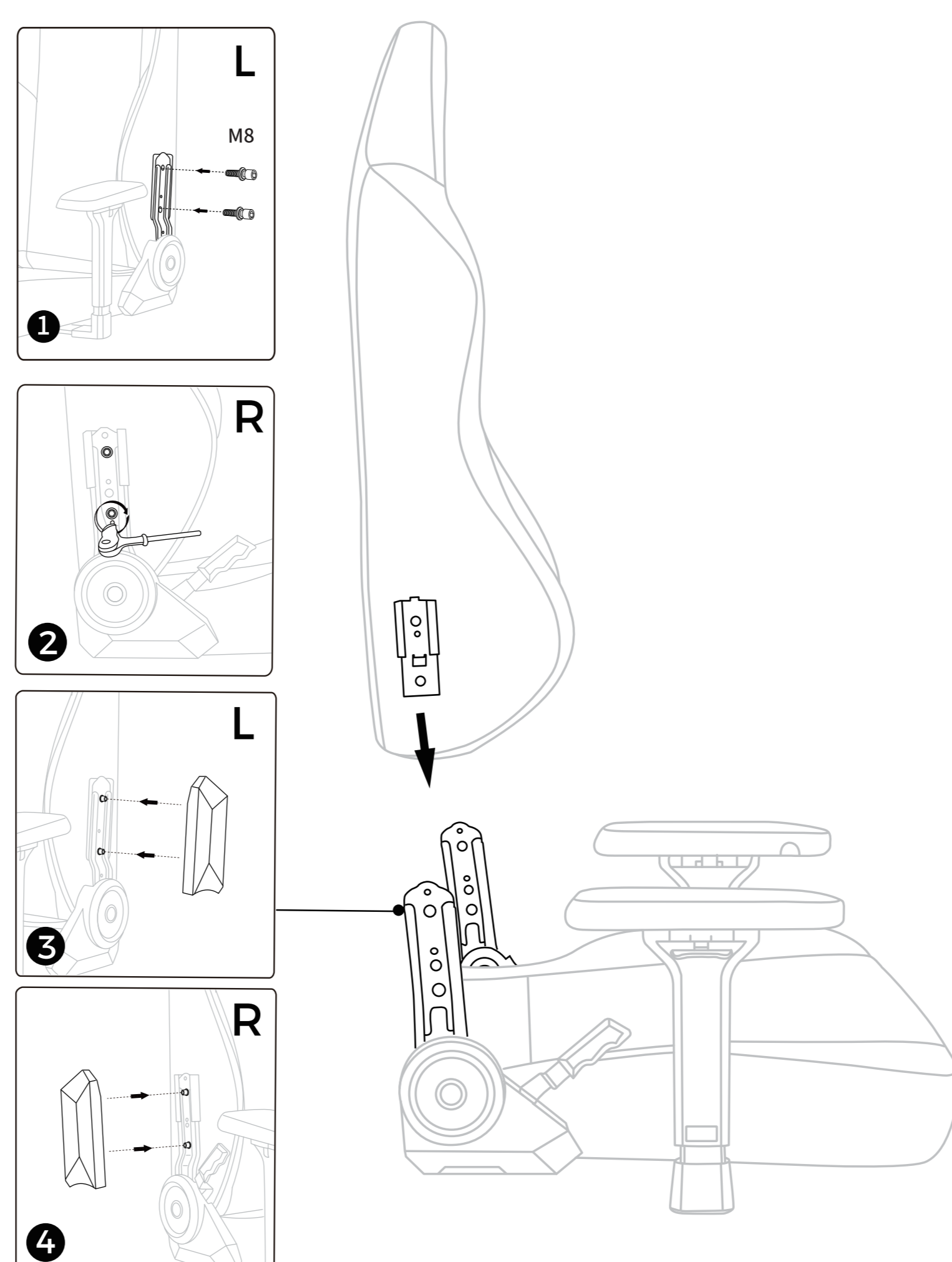
<https://www.dxracer.com/pages/after-sales-service>

► **Quick Installation**

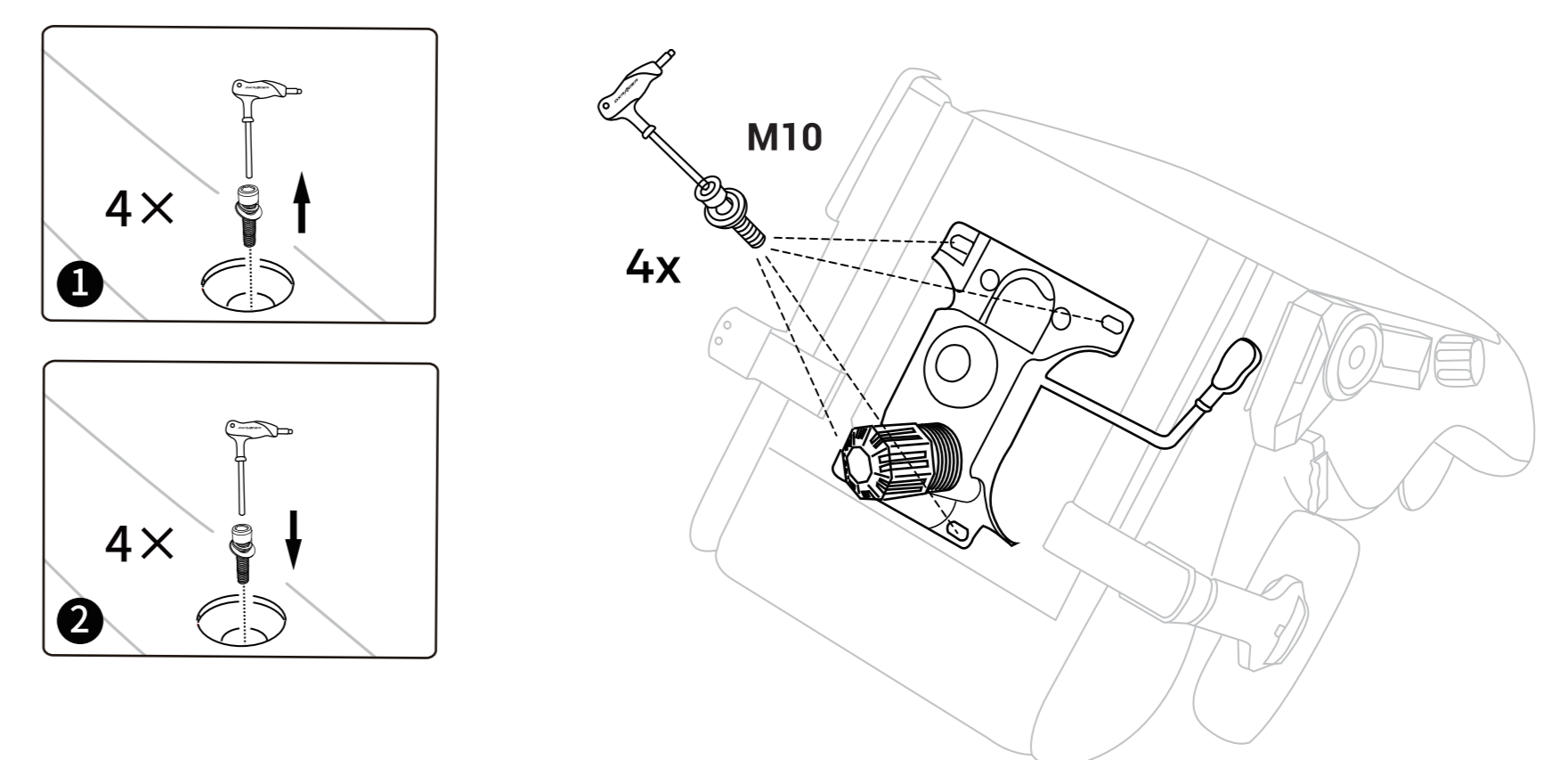
step **1.**



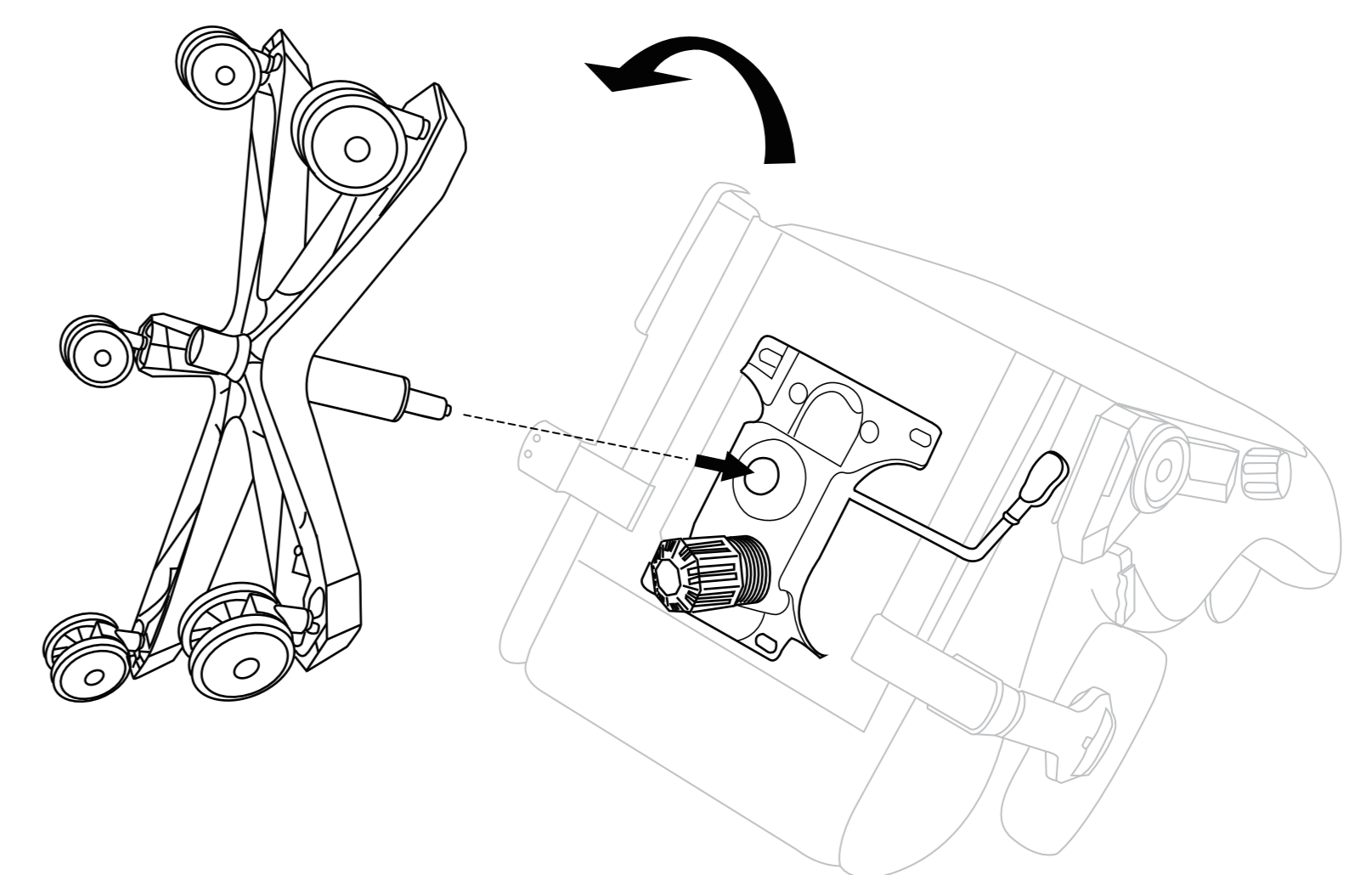
step **2.**



step **3.**



step **4.**



step **5.**

